

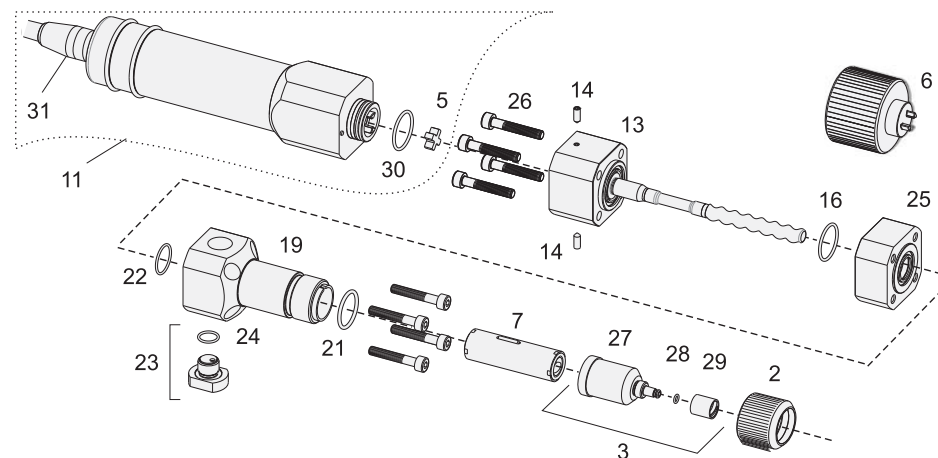
eco-PEN600 Spare parts



Business Unit Components & Equipment

Dosing technology Dosing system

Item	Part No.	x	Item name	Material
	20046		Dosing unit eco-PEN600 cpl. (without 11)	
2	20016		Union ring eco-PEN600	Aluminium
3	20023		End piece eco-PEN600 with Luer-Lock cpl.	POM
5	20050	x	Star-shaped coupling	Elastomer
6	20108		Assembly aid	Aluminium
7	20002	x	Stator cpl. eco-PEN600	VisChem
11	20047	x	Drive unit eco-PEN600 cpl.	
13	20152		Bearing housing with rotor set cpl.	
14	20029		Set screw	A2
16	20007	x	O-ring Ø 16 x 1.25	FKM
18	20031		Allen screw	A2
19	20012		Dispenser housing eco-PEN600	POM
21	20017	x	O-ring Ø 16 x 2	NBR
22	20011	x	O-ring Ø 13	FKM
23	20510		Bleed screw cpl.	POM
24	20513	x	O-ring Ø 8	FKM
25	20151		Seal set with housing	
26	20031		Allen screw	A2
27	20020		End piece eco-PEN600 with Luer-Lock	POM
28	20035	x	O-ring	FKM
29	20021		Threaded sleeve Luer-Lock	Aluminium
30	20041	x	O-ring Ø 17	NBR
31	20784		motor cable eco-PEN cpl.	



x = recommended spare parts ad wearing parts
✓ = order