

eco-DUO600

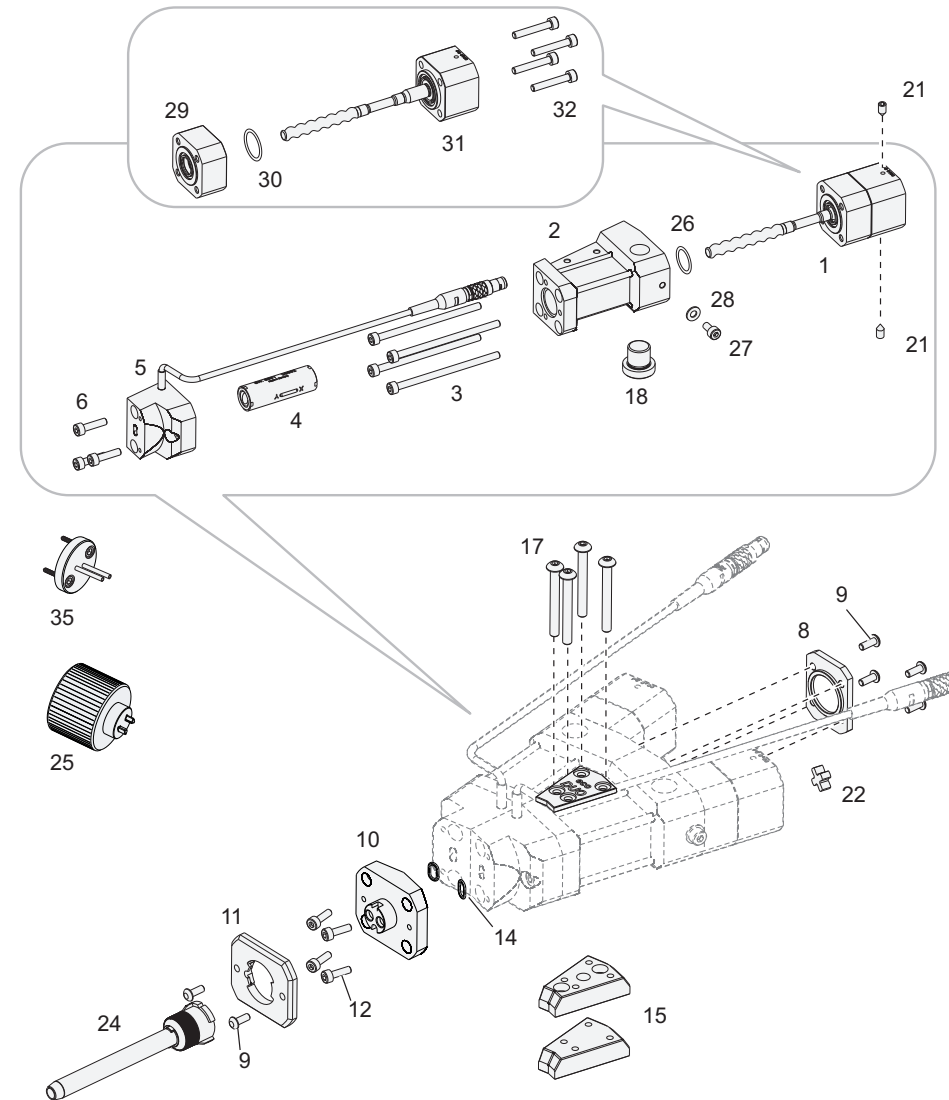
Spare parts



Dosing technology

Dosing system

Item	Part No.	x Qty	Item name	Material
	21175		eco-DUO 600 complete, with drive	
	21168		eco-DUO 600 without drive	
	20784		Connection cable	
	20047		Drive unit	
1	21152	2	Rotor strand seal housing	
2	21153	2	Pump housing	Alu
3	21156	8	Allen screw M4 x 70	A2
4	20002	x 2	Stator	VisChem
5A	21165	1	End piece, left with pressure sensor	
5B	21166	1	End piece, right with pressure sensor	
6	20124	6	Allen screw M4 x 16	A2
8	21155	1	Centring cover	Alu
9	20487	6	Oval head screw M3 x 8	A2
10	21163	1	Mix housing	Alu
11	21164	1	Locking plate	Alu
12	20390	4	Allen screw M3 x 10	A2
13	20047	2	Drive unit	
	20784	2	Connection cable eco-PEN cpl.	
14	21167	x 2	O-ring	FFKM
15	21172	1	Locking plates set	
17	21147	4	Oval head screws M4 x 35	A2
18	21159	2	Plug G1/4"	1.4301
21	20088	4	Threaded pin M3 x 5	A2
22	20050	x 2	Star-shaped coupling	Elastomer
24	21181	1	Mixer set (3x)	
25	20108	1	Assembly aid	Alu
26	20011	x 2	O-ring	FKM
27	20026	x 2	Allen screw M4 x 8	A2
28	20027	x 2	Washer A 4.3	PA 6
29	21197	2	Sealing set with housing	
30	20007	x 2	O-ring	FKM
31	20152	2	Bearing housing with rotor set cpl.	
32	20031	8	Allen screw M4 x 25	A2
35	21180	1	Calibration adapter	



x = recommended spare parts and wearing parts
 ✓ = order