

Registration for return of goods

Dear customer,

In order to enable us to repair your product as quickly as possible, please observe the procedure for smooth processing.

- To request an identification number, please complete the following form and send it to us by e-mail (support@preeflow.com).
- Based on the information on the dosed material we will check the measures to be taken. The material designation must be unambiguous for this purpose. At best, please enclose the safety data sheet (in German or English) to speed up the process.
- Please ensure that the products have been sufficiently cleaned and are free of residues in quantities that are harmful or hazardous to health.
- Send the goods to our authorized service and support center. You will receive the delivery address from us immediately after returning the form to the above e-mail address.
- After receipt and verification of the return you will receive a cost estimate.

Contact details

Company

Street

Place/ZIP

Country

Contact person (for cost estimate)

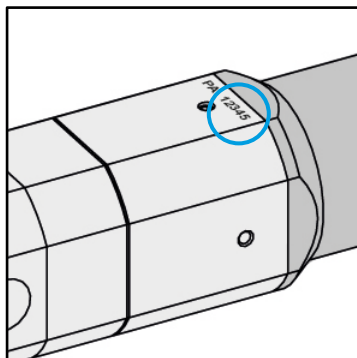
Name

Phone

E-Mail address

Information on goods to be returned

Serial number



**Designation of
dosed material**

Hazardous material Yes No

**Description of the
reason for the
return**

**Description of the
scope of delivery**

I hereby confirm the correctness and completeness of my information.